

C109,110
390P For others
0.001 For (EG,E1) areas.

PHONO EQ CIRCUIT

A PHONO EQ / TONE AMP / POWER SOURCE

Phono Signal (Lch)

IC101
AN6558F
PHONO EQ AMP

INPUT SELECTOR CIRCUIT

(INPUT SELECTOR)

Recording Signal

Q751
2SC3944A
EXTEND
ACTIVE
SERVO

B INPUT-OUTPUT TERMINAL / VOLTAGE CONTROL

D603 (PHONO)
D604 (TUNER)
D605 (CD)
D606 (AUX)
D607 (TAPE2)
D608 (TAPE1)

R602 330
R603 330
R604 330
R605 330
R606 330

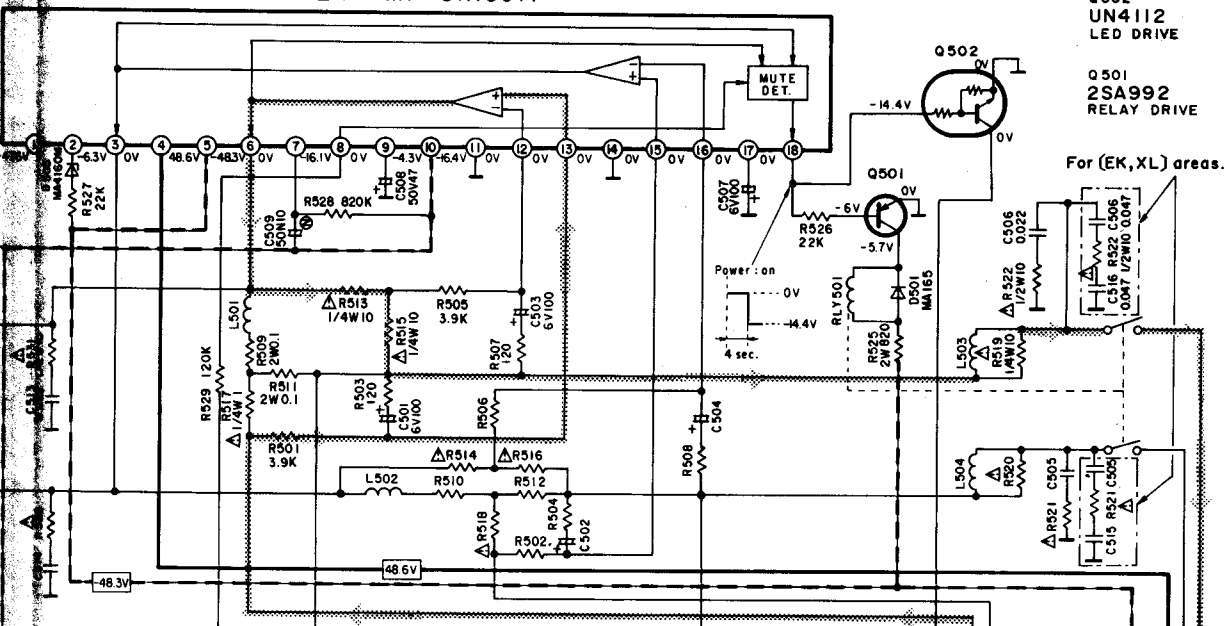
D609 LM21455PH
(VOLTAGE CONTROL)

D603 ~ 608
LN064456PH

Q752
2SA1000
EXTEND
ACTIVE
SERVO

POWER

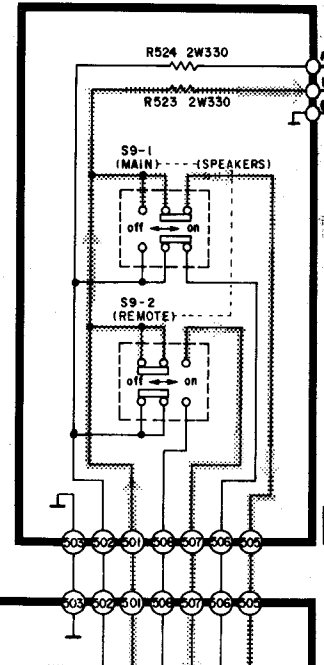
POWER AMP CIRCUIT



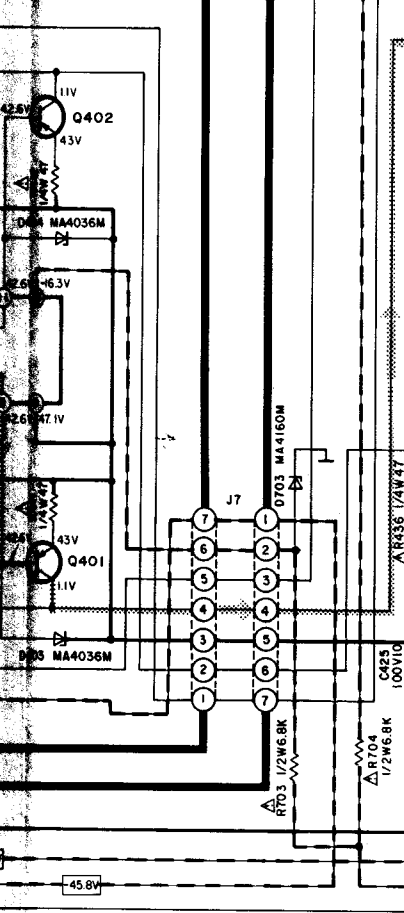
Q502
UN4112
LED DRIVE

Q501
2SA992
RELAY DRIVE

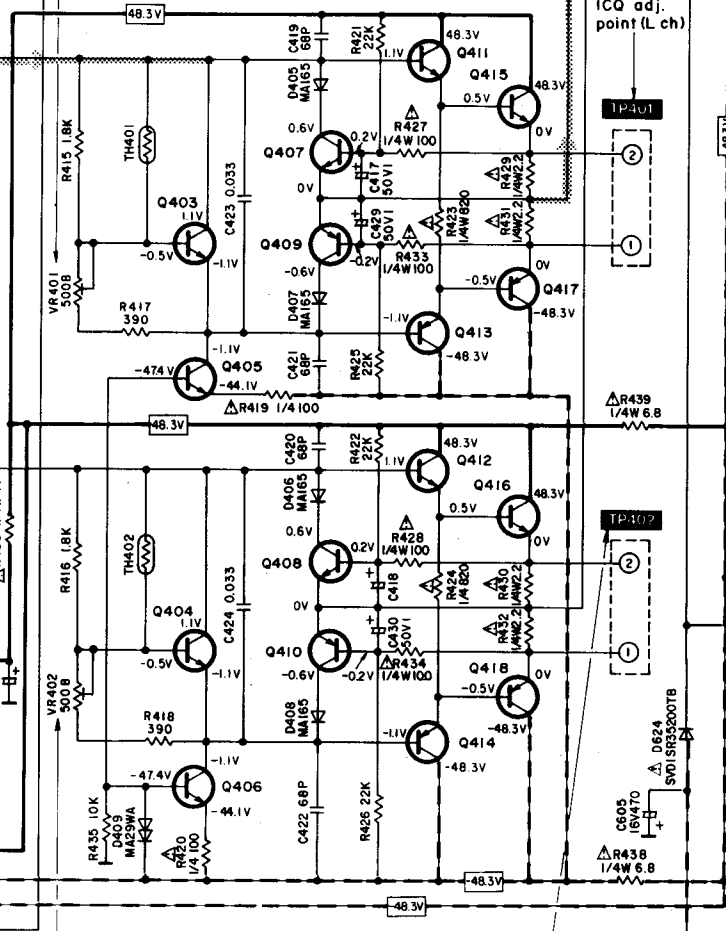
For (EK, XL) areas.



AMP CIRCUIT



VOLTAGE CONTROL AMP



Voltage control amp.
ICQ adj. (L ch)

Voltage control amp.
ICQ adj. point (R ch)

- Q403,404
2SC1685
ICQ adj.
- Q405,406
2SC2631
CURRENT
STABILIZER
- Q407,408
2SC3311A
LIMITER
- 409,410
2SA1309A
LIMITER
- Q411,412
2SC2631
AA CLASS AMP
- Q413,414
2SA1123
AA CLASS AMP
- Q415,416
2SC3944A
AA CLASS AMP
- Q417,418
2SA1535A
AA CLASS AMP

For (EG, EI) areas.

Phono Signal (Lch)

D711~714
53V20

Q705
50V6800

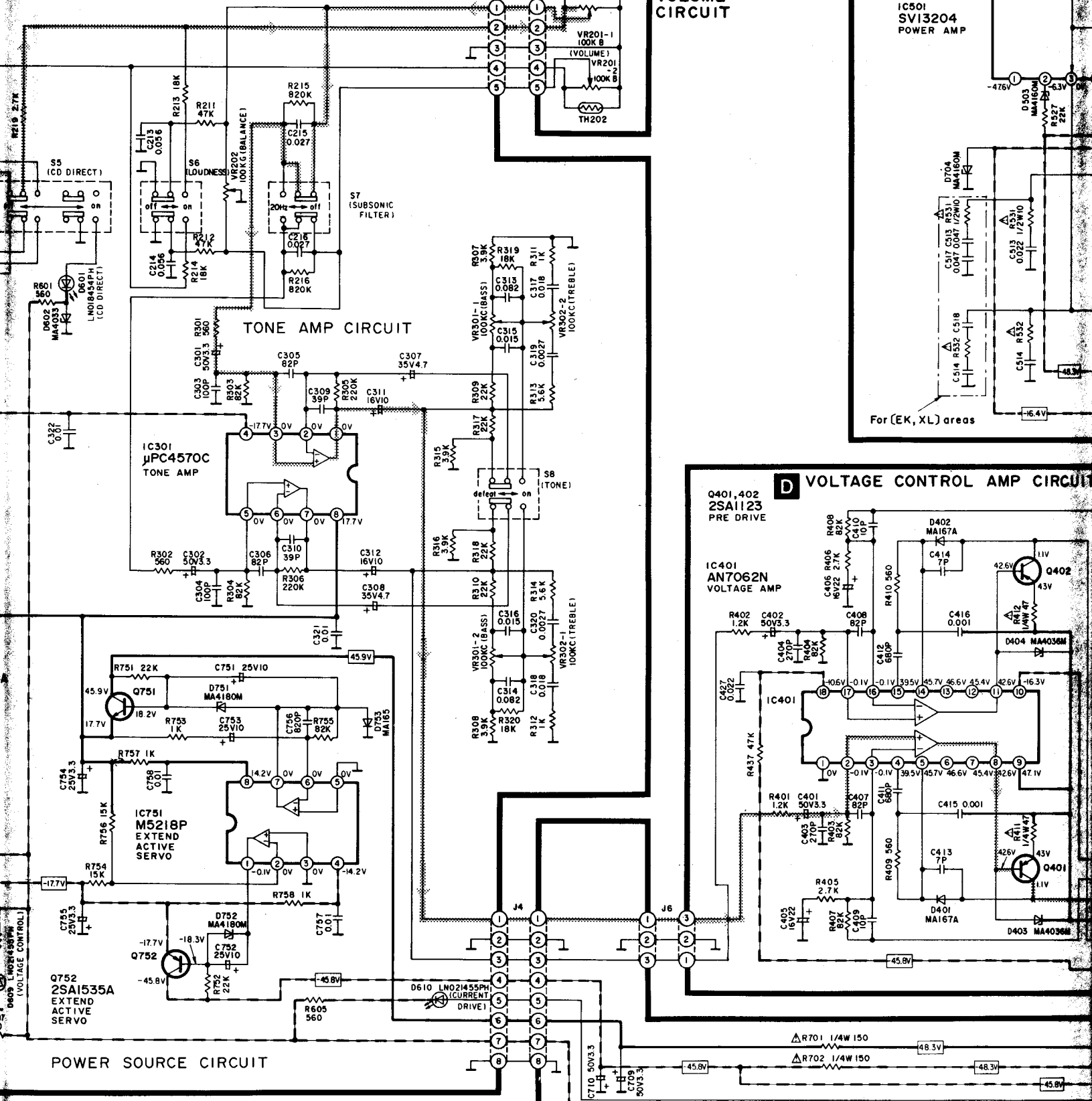
Q706
50V6800

For others...
0.01

For (EG, EI) areas.

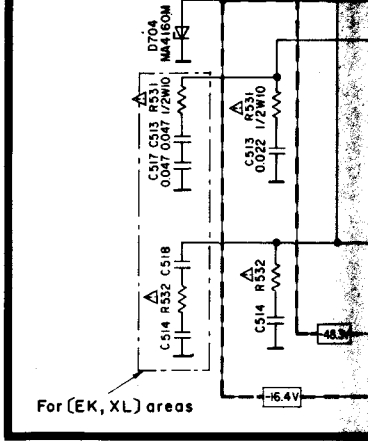


POWER SOURCE CIRCUIT



C VOLUME CIRCUIT

IC501 SV13204 POWER AMP

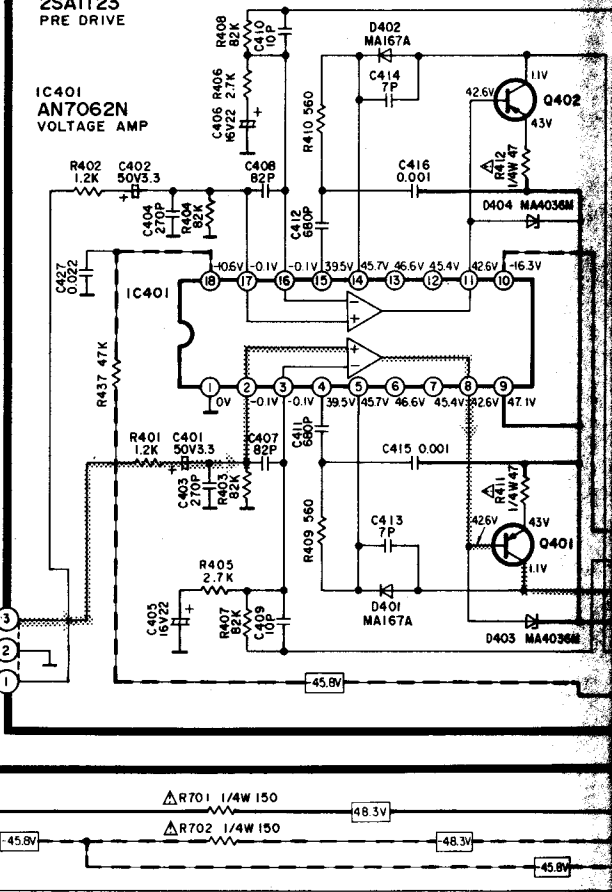


For (EK, XL) areas

D VOLTAGE CONTROL AMP CIRCUIT

Q401, Q402 2SA1123 PRE DRIVE

IC401 AN7062N VOLTAGE AMP



CONTROL AMP/POWER AMP CIRCUIT